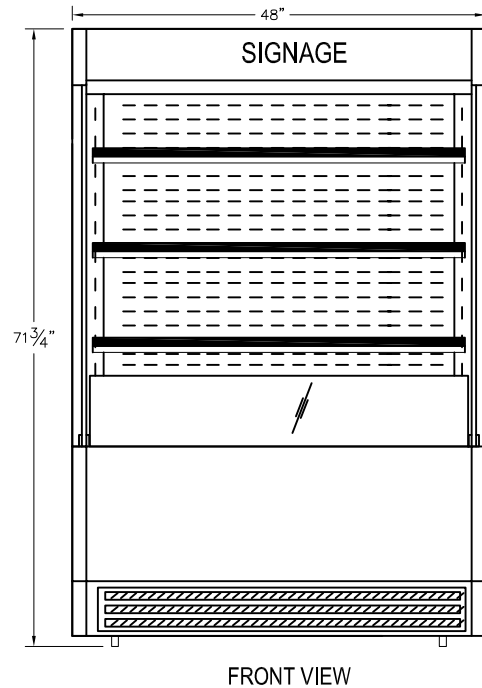
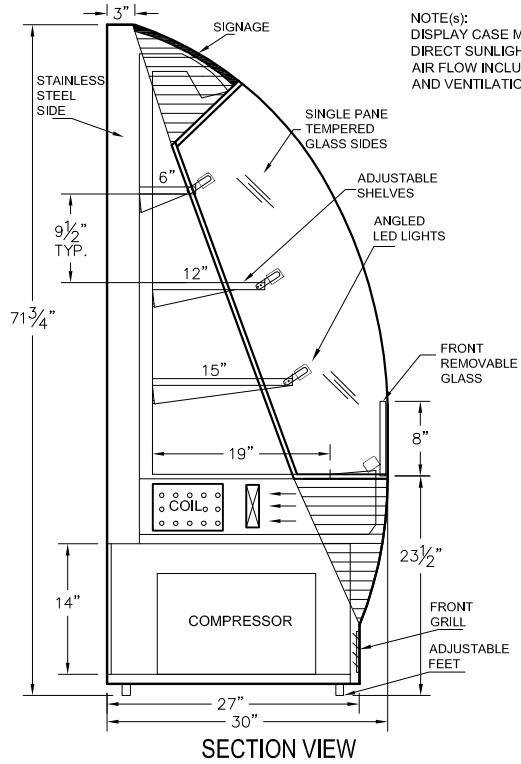


<b>PROJECT:</b>	<b>QTY:</b>	<b>ITEM No.</b>
-----------------	-------------	-----------------

# WC4872SS

## SELF SERVE REFRIGERATED DISPLAY CASE



**\* ALL DIMENSIONS ARE ± 1/8"**

\* PICTURE IS FOR REFERENCE ONLY



*Manufacturers of food service displays*

### SPECIFICATIONS

DIMENSIONS	WC 4872SS	MODEL No.	MODEL No.	MODEL No.	MODEL No.	MODEL No.
Length (in)	48"	L	L	L	L	L
Depth (in)	30"	D	D	D	D	D
Height (in)	71.75"	H	H	H	H	H
ELECTRICAL						
Voltage	120	120	120	120	120	120
Amperes (Compressor and Light)	14.5	Amps.	Amps.	Amps.	Amps.	Amps.
Amperes (Elect. Cond. Pan needs separate circuit)	8.3	Amps.	Amps.	Amps.	Amps.	Amps.
Power Cord	8 ft.	8 ft.	8 ft.	8 ft.	8 ft.	8 ft.

NEMA Receptacle Configurations	NOTES
<b>TWO SEPARATE POWER SUPPLY REQUIRED</b>  FOR ELECT. COND. PAN 125V  5-15R	All Specifications subject to change without notice.
	This Design is the property of QBD Modular Systems Inc. No copies or reproductions are permitted without the written permission of QBD Modular Systems Inc.
FOR COMPRESSOR & LIGHTS 125V  5-20R	** All units are designed to operate under normal store conditions of 24°C(75°F) with 50% relative humidity, and maintain the temp. between 35°F to 40°F. **Condensation on glass may occur in Hot / Humid conditions. QBD is not responsible for any consequential damages as a result. **QBD WARRANTY DOES NOT INCLUDE PRODUCT LOSS OR CONSEQUENTIAL DAMAGES HOWEVER CAUSED. Please review detailed warranty statement prior to purchase.



**QBD MODULAR SYSTEMS INC.**  
 31 BRAMSTEELE ROAD, BRAMPTON, ONTARIO, CANADA L6W 3K6  
[WWW.QBD.COM](http://WWW.QBD.COM)

1-800-663-3005  
 TEL: (905) 459-0709  
 FAX: (905) 459-1478  
[info@qbd.com](mailto:info@qbd.com)

DR. BY: <b>Hesam</b>
DATE: <b>06/08/15</b>
FILE: <b>WC4872SS</b>