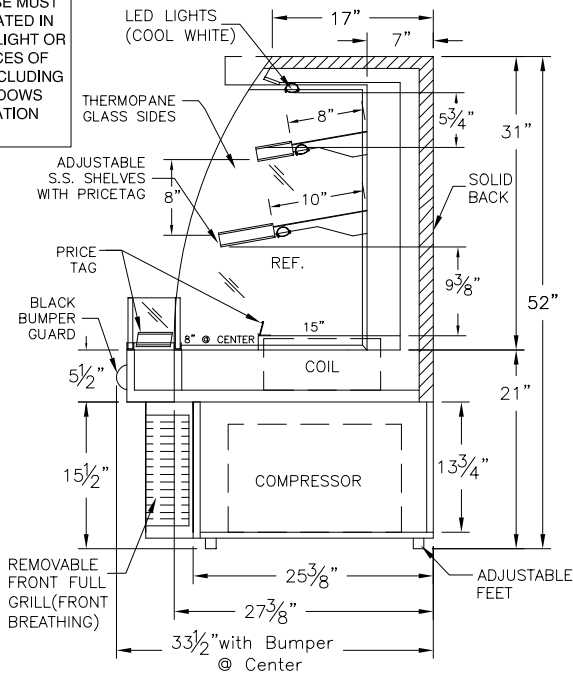


PROJECT:	QTY:	ITEM No.
-----------------	-------------	-----------------

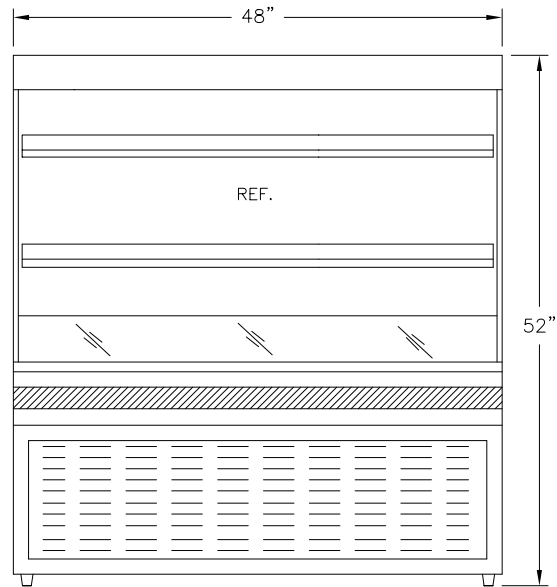
WCXX52SP3

REFRIGERATED DISPLAY

DISPLAY CASE MUST NOT BE LOCATED IN DIRECT SUNLIGHT OR NEAR SOURCES OF AIR FLOW INCLUDING DOORS, WINDOWS AND VENTILATION SYSTEMS.



SIDE VIEW



FRONT VIEW

NOTE:

- * DIRECT DRAIN RECOMMENDED.
- * TWO SEPARATE CIRCUIT REQUIRED.

WC3652SP3 -120/1/15Amp. FOR COMPRESSOR & LIGHTS.
WC4852SP3 -120/1/15Amp. FOR ELECTRIC CONDENSATE PAN.

WC 6052SP3 -120/1/20Amp. FOR COMPRESSOR & LIGHTS.
-120/1/15Amp. FOR ELECTRIC CONDENSATE PAN.



Manufacturers of food service displays

SPECIFICATIONS

DIMENSIONS	WC 3652SP3	WC 4852SP3	WC 6052SP3	MODEL No.
Length (in)	36"	48"	60"	—
Depth (in)	33.50"	33.50"	33.50"	—
Height (in)	52"	52"	52"	—
ELECTRICAL				
Voltage	120	120	120	—
Amperes (Compressor and Light)	9.6	9.6	12.1	—
Amperes (Elect. Cond. Pan needs separate circuit)	8.3	8.3	8.3	—
Power Cord	8 ft.	8 ft.	8 ft.	—

NOTES

All Specifications subject to change without notice.

This Design is the property of QBD Modular Systems Inc. No copies or reproductions are permitted without the written permission of QBD Modular Systems Inc.

- ** All units are designed to operate under normal store conditions of 24°C (75°F) with 50% relative humidity, and maintain the temperature between 35°F to 40°F.
- **Condensation on glass may occur in Hot/Humid conditions.QBD is not responsible for any consequential damages as a result.
- **QBD WARRANTY DOES NOT INCLUDE PRODUCT LOSS OR CONSEQUENTIAL DAMAGES HOWEVER CAUSED. Please review detailed warranty statement prior to purchase.



QBD MODULAR SYSTEMS INC. TEL: (905) 459-0709
31 BRAMSTEELE ROAD, BRAMPTON, ONTARIO, CANADA L6W 3K6 FAX: (905) 459-1478
WWW.QBD.COM info@qbd.com

1-800-663-3005

DR. BY: **Dave**

DATE: **10 /05 /12**

FILE: **WCXX52SP3**