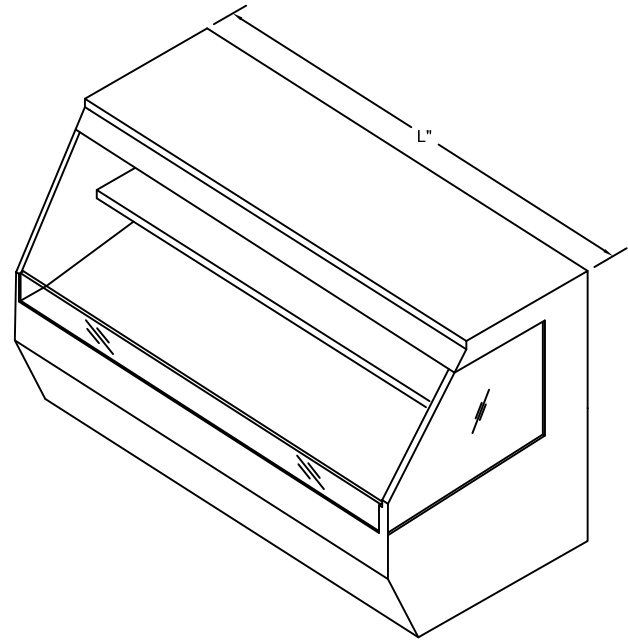
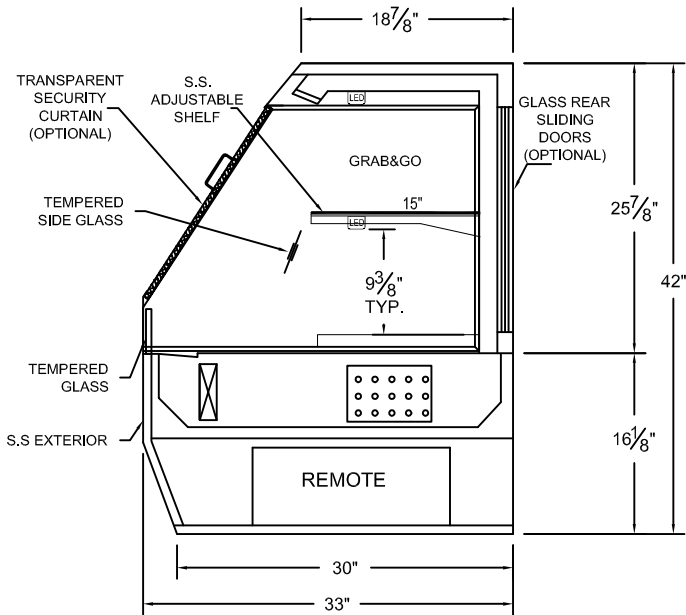


PROJECT:	QTY:	ITEM No.
----------	------	----------

WCXX42R

GRAB-N-GO REFRIGERATED DISPLAY CASE (REMOTE)



*** ALL DIMENSIONS ARE ± 1/8"**

- NOTE(s):
1. DISPLAY CASE MUST NOT BE LOCATED IN DIRECT SUNLIGHT OR NEAR SOURCES OF AIR FLOW INCLUDING DOORS, WINDOWS AND VENTILATION SYSTEMS.
 2. DIRECT DRAIN REQUIRED

* PICTURE FOR REFERENCE ONLY



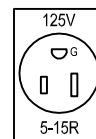
Manufacturers of food service displays

SPECIFICATIONS

DIMENSIONS	WC 6042R	WC 7242R	WC 9742R	MODEL No.	MODEL No.	MODEL No.
Length (in)	60	72	97	L	L	L
Depth (in)	33	33	33	D	D	D
Height (in)	42	42	42	H	H	H
ELECTRICAL						
Voltage	120	120	120	120	120	120
Amperes (Fans and Lights)	3.2	4.1	5.0	Amps.	Amps.	Amps.
Amperes (Elect. Cond. Pan needs separate circuit)	Amps.	Amps.	Amps.	Amps.	Amps.	Amps.
Power Cord	8 ft.	8 ft.	8 ft.	8 ft.	8 ft.	8 ft.

NEMA Receptacle Configurations

FOR FANS & LIGHTS



NOTES

All Specifications subject to change without notice.

This Design is the property of QBD Modular Systems Inc. No copies or reproductions are permitted without the written permission of QBD Modular Systems Inc.

** All units are designed to operate under normal store conditions of 24°C(75°F) with 50% relative humidity, and maintain the temp. between 35°F to 40°F.

**Condensation on glass may occur in Hot / Humid conditions. QBD is not responsible for any consequential damages as a result.

**QBD WARRANTY DOES NOT INCLUDE PRODUCT LOSS OR CONSEQUENTIAL DAMAGES HOWEVER CAUSED. Please review detailed warranty statement prior to purchase.