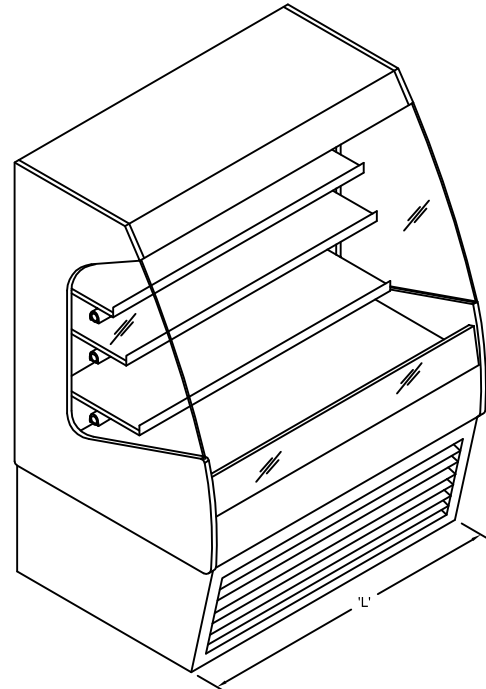
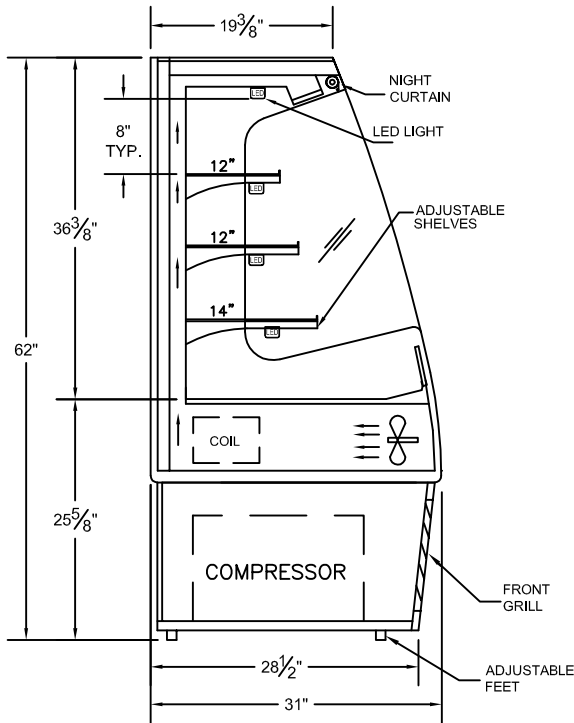


PROJECT:	QTY:	ITEM No.
-----------------	-------------	-----------------

WCXX62

REFRIGERATED SELF SERVE WALL CASE



NOTE(s):
DISPLAY CASE MUST NOT BE LOCATED IN DIRECT SUNLIGHT OR NEAR SOURCES OF AIR FLOW INCLUDING DOORS, WINDOWS AND VENTILATION SYSTEMS.

* PICTURE FOR REFERENCE ONLY



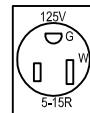
Manufacturers of food service displays

SPECIFICATIONS

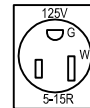
DIMENSIONS	WC 3662	WC 4862	WC 6062	WC 7262	WC 9662	WC 12062
Length (in)	36"	48"	60"	72"	96"	120"
Depth (in)	31"	31"	31"	31"	31"	31"
Height (in)	62"	62"	62"	62"	62"	62"
ELECTRICAL						
Voltage	120	120	120	120	120	120
Amperes (Compressor and Light)	9.5	10.3	10.5	11.3	4.2 REMOTE	5.2 REMOTE
Amperes (Elect. Cond. Pan needs separate circuit)	8.4	8.4	8.4	DIRECT DRAIN	DIRECT DRAIN	DIRECT DRAIN
Power Cord	8 ft.	8 ft.	8 ft.	8 ft.	8 ft.	8 ft.

NEMA Receptacle

For Compressor and Lights



For Elect. Cond. Pan
(L=36", 48", 60 only)



NOTES

All Specifications subject to change without notice.

This Design Is the property of QBD Modular Systems Inc. No copies or reproductions are permitted without the written permission of QBD Modular Systems Inc.

** All units are designed to operate under normal store conditions of 24°F(75°F) with 50% relative humidity, and maintain the temperature between 35°F to 40°F.

**Condensation on glass may occur in Hot / Humid conditions. QBD is not responsible for any consequential damages as a result.

**QBD WARRANTY DOES NOT INCLUDE PRODUCT LOSS OR CONSEQUENTIAL DAMAGES HOWEVER CAUSED.



QBD MODULAR SYSTEMS INC.
31 BRAMSTEELE ROAD, BRAMPTON, ONTARIO, CANADA L6W 3K6
WWW.QBD.COM

1-800-663-3005

TEL: (905) 459-0709

FAX: (905) 459-1478

info@qbd.com

DR. BY. **Hesam**

DATE: **11/ 013 / 15**

FILE: **WCXX62**